

## Will my CheapHeat Electric Heating System work on my Generator?

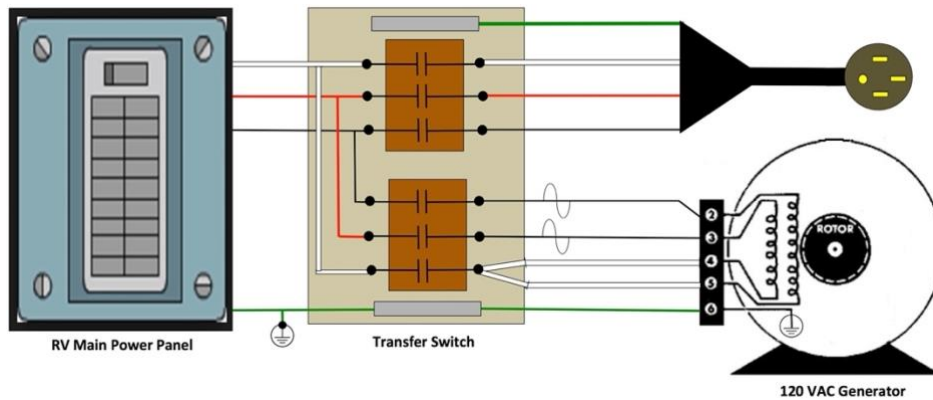
RV Comfort Systems does have an **add-on option** that will allow your electric heater to automatically switch to the 1800 watts 120 VAC setting. When your CheapHeat is configured to run on the 3750 or 5000 watt 240 VAC setting. For those times when you only have 120 VAC power available.

The CheapHeat Electric heating comes with the ability to operate at 3 different heater settings

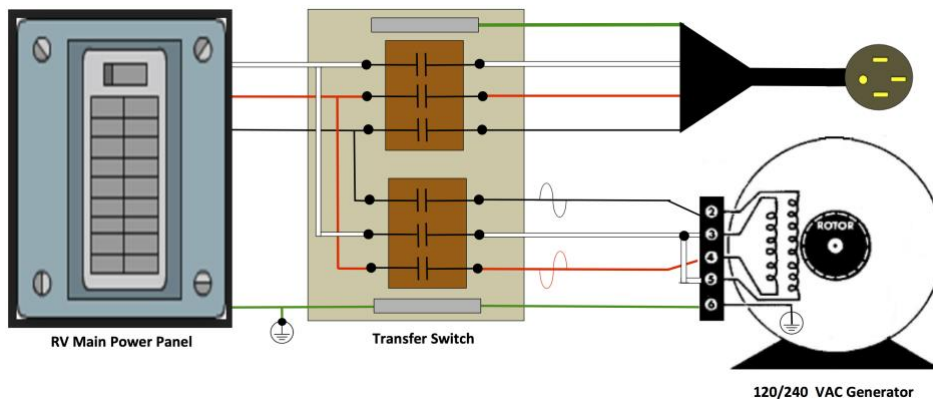
- ❖ 1800 Watts @ 120 VAC with 15 amp one leg current draw on 120 VAC 30 amp or 120/240 VAC 50 amp Shore Power.
  - Will work on most RV generators
- ❖ 3750 Watts @ 240 VAC with 15 amp per leg current draw on 120/240 VAC 50 amp Shore Power.
  - Will only work on RV generators 7500 watts (Full Load Rated) and above.
- ❖ 5000 Watts @ 240 VAC with 20 amp per leg current draw on 120/240 VAV50 amp Shore Power.
  - Will ONLY work on RV generators 7500 watts (Full Load Rated) and above.

### RV Generators are wired as follows:

*Note: **Generators have two ratings Intermittent and full load** and the vendors usually advertised them at their intermittent rating. But their full load rating is about 75% to 80% of that. Example: 10,000 Full Load advertised rating is actually only 7500 watts full load.*



RV Generators under 7500 Watts (full Load) with 2 legs at 120 VAC  
Are wired in phase and **WILL NOT** produce 240 VAC



RV Generators above 7500 Watts (Full Load) with 2 legs at 120 VAC  
Are wired 180 degrees out of phase and **WILL** produce both 120 and 240 VAC

### Note #2:

After market generators at above 3000 watts (full Load) are usually wired for a true 120/240 VAC.